

Ceiling Horizontally Suspended – Individual Acoustical Panels Using Hanging Rods



Before Getting Started

Check Your Panels

Make sure you received everything you ordered. Please let us know if you have any questions or concerns by calling 1.800.727.6770 or visiting xorelartform.com.

Prep Your Work Area

Clear the area of all furniture. If the room where the panels are going to be installed has a hard floor, clean the floor, or cover it in construction paper to protect the panels when laying them face down.

Decide on Ceiling Mounting Materials

Because ceilings are made of a wide range of materials, you will need to plan how to attach the Artform metal plate to the ceiling and provide those materials. Please take your ceiling material into account when deciding how to hang the metal plate.

Reference the following chart for Step 07 of the installation instructions

Ceiling Length (C) (inches)	Shape: Circle / Circle 3D			Shape: Criss / Diamond / Diamond 3D / Scale / Tall Hex	Shape: Hex / Hex 3D			Shape: Square / Square 3D			Shape: Waveline / Waveline 3D			
	Medium	Large	X-Large		Large	Medium	Large	Large	Large	Medium	Large			
8"		9.75	11.25	12.75		8.75		8.75	9.75		9.75		8.75	8.75
9"		10.75	12	13.25		9.75		10.75	10.75		10.75		9.75	9.75
10"		11.5	12.75	14		10.75		10.75	11.5		11.5		10.75	10.75
11"		12.5	13.5	14.75		11.75		11.75	12.5		12.5		11.75	11.75
12"		13.25	14.25	15.5		12.75		12.75	13.25		13.25		12.75	12.75
13"		14.25	15.25	16.25		13.5		13.5	14.25		14.25		13.5	13.5
14"		15.25	16	17		14.5		14.5	15.25		15.25		14.5	14.5
16"		17	17.75	18.75		16.5		16.5	17		17		16.5	16.5
18"		19	19.75	20.5		18.5		18.5	19		19		18.5	18.5
20"		20.75	21.5	22.25		20.5		20.5	20.75		20.75		20.5	20.5
24"		24.75	25.25	26		24.5		24.5	24.75		24.75		24.5	24.5
30"		30.75	31	31.75		30.5		30.5	30.75		30.75		30.5	30.5
36"		36.5	37	37.25		36.25		36.25	36.5		36.5		36.25	36.25
48"		48.5	48.75	49		48.25		48.25	48.5		48.5		48.25	48.25
54"		54.5	54.75	55		54.25		54.25	54.5		54.5		54.25	54.25
60"		60.5	60.75	61		60.25		60.25	60.5		60.5		60.25	60.25
66"		66.5	66.75	66.75		66.25		66.25	66.5		66.5		66.25	66.25
72"		72.5	72.5	72.75		72.25		72.25	72.5		72.5		72.25	72.25

Hanging Rod Length (E) (inches)

Packaged Components



Xorel Artform Panels



3 Point Metal Plate



Eye Bolts
3 for each panel



Bending Tool



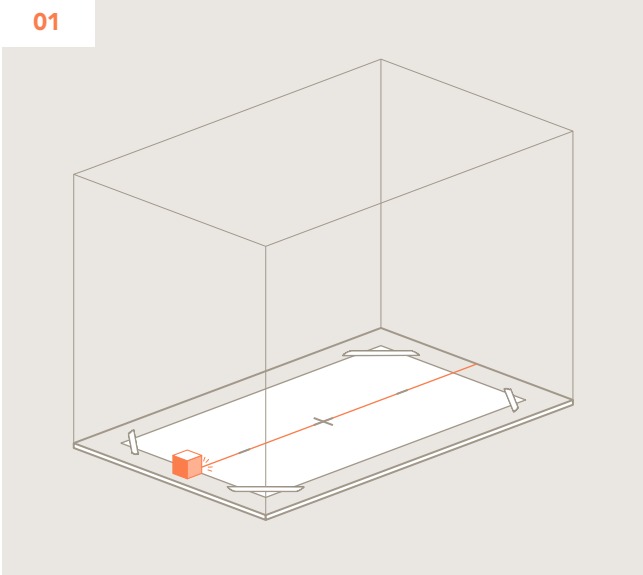
Hanging Rods
6' (w) x 1/8" (d)
3 for each panel

Additional Tools Needed

- Vertical Spot Laser
- Wide Field Laser
- Ceiling Mounting Materials
- Wirecutters
- Pliers

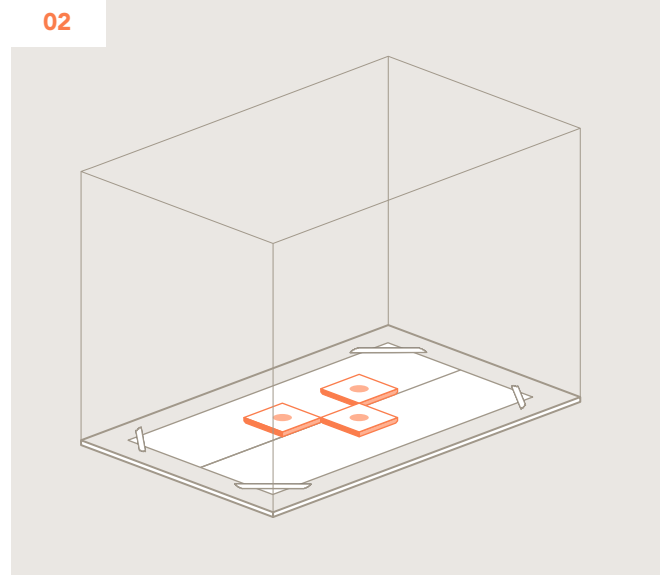
Installation Steps

01



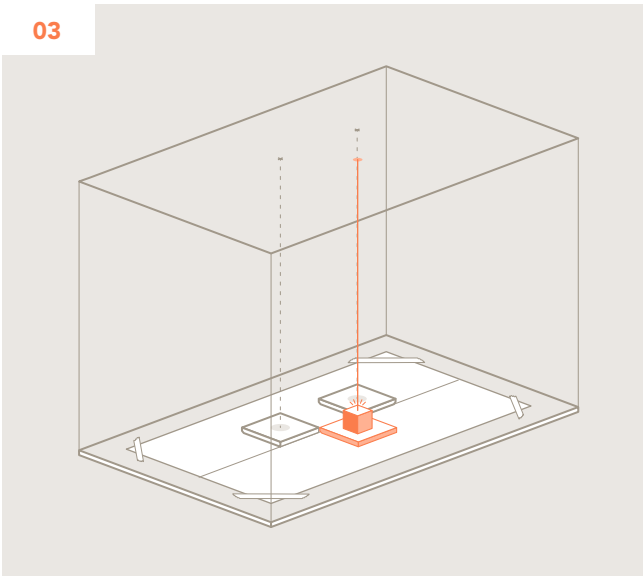
Set a reference line on the floor.

02



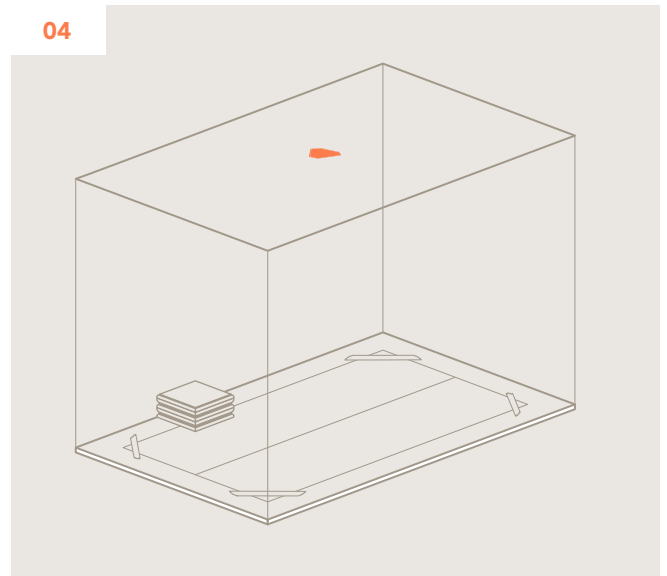
Starting at a corner/one side of the design, place panels face down in the desired final layout.

03



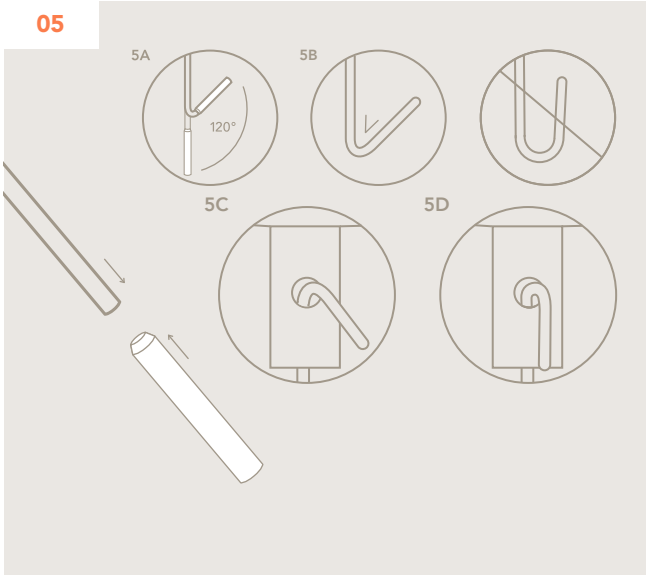
Place the vertical spot laser on top of the screw hole on the back of one of the panels, and mark the center point on the ceiling. Repeat until the center point of each panel is marked on the ceiling, moving panels off to the side as you go.

04



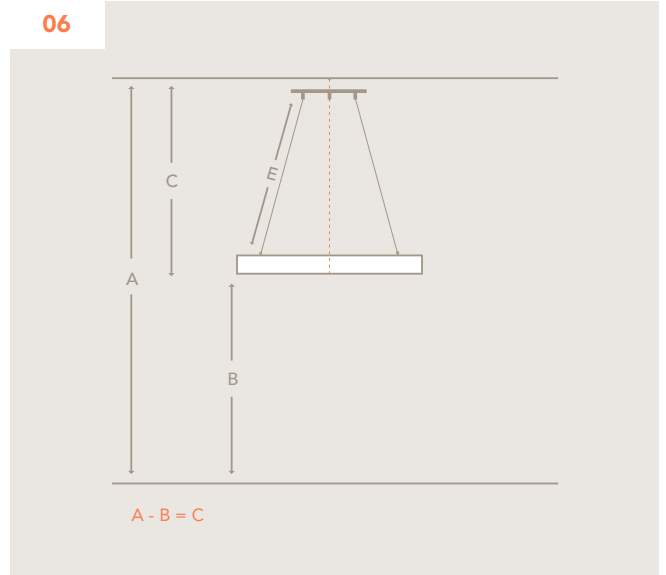
Use the ceiling mounting materials of your choosing to install each metal plate to the center points marked on the ceiling.

05



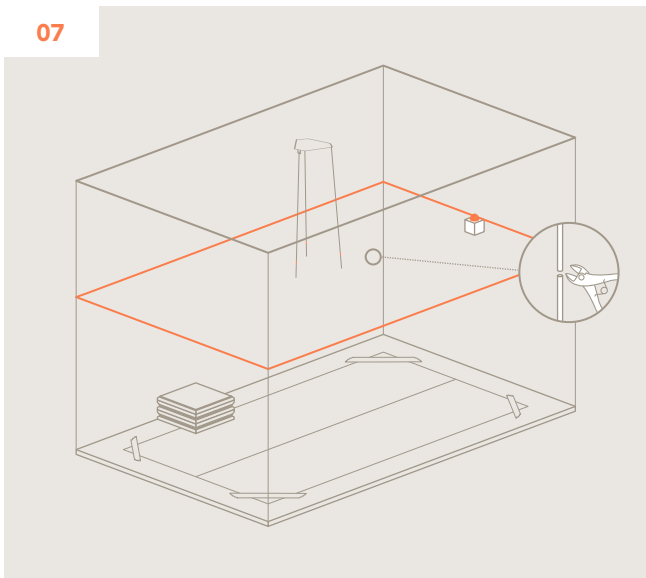
Insert a hanging rod into the bending tool as far as it will go, and bend the end of the hanging rod approximately 120 degrees (5A) forming a "V" shape (5B). Install the hanging rods onto the metal plate (5C), and close the top bent end with pliers (5D). Repeat until all hanging rods are installed.

06



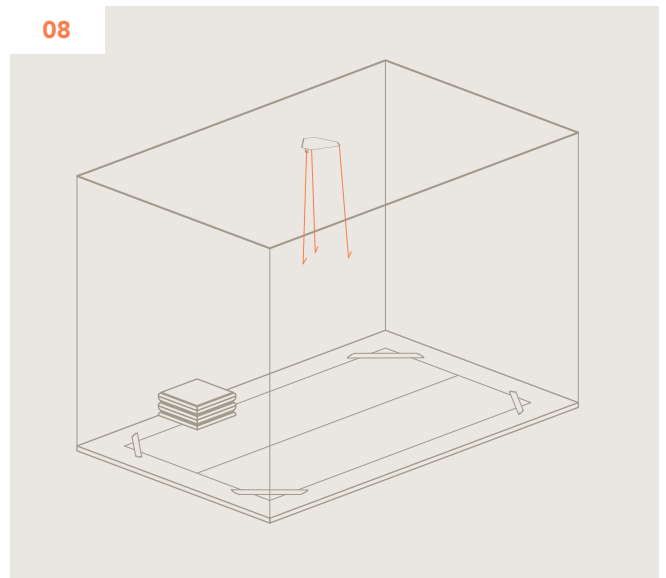
Calculate the difference between the floor to ceiling/slab height (A) and floor to the specified finished hung panel height (B) to get the ceiling length (C).

07



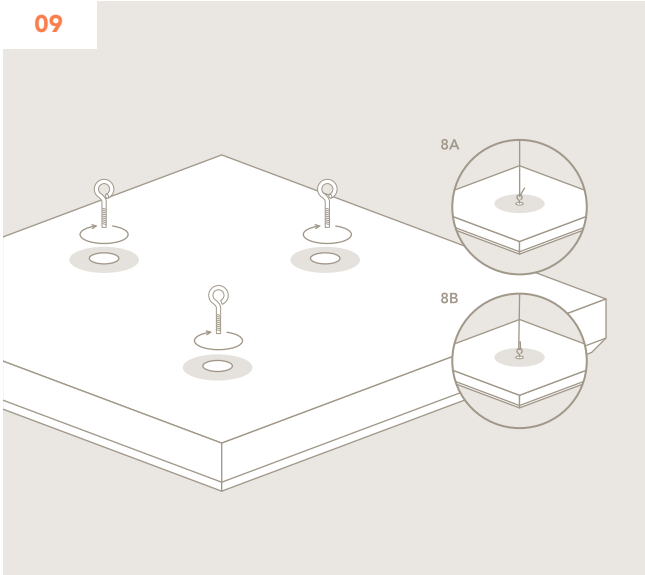
Using the calculated ceiling length (C), reference the chart on page 2 to determine the hanging rod length (E). Set the widefield laser to the "E" dimension and cut the hanging rod using the wirecutters.

08



Use the bending tool to bend the bottom of each hanging rod approximately 120 degrees, forming a "V" shape.

09



Screw 3 eye bolts into the back of each Xorel Artform panel, and hang the panel onto the bent ends of the hanging rods (8A). Once the panel is in place, close the bent ends with pliers (8B).

Tips for Installation

We recommend having a rendering or layout of the final design on site for reference during installation.

If you will be drilling into the ceiling in order to hang the Artform rods, make sure to move the panels away from the area where you'll be drilling.

To ensure a correct installation, continue to check for alignment as you install each panel.

When stacking panels, always stack them face to face/back to back.

The ceiling plate hardware is paintable, Krylon dual paint-primer spray is recommended. Rod hardware must be primed prior to painting.

Contact Us

Email
info@xorelartform.com

Phone
1-800-727-6770

All Xorel fabrics are C2C Certified.
Visit xorelartform.com for more information.

© 2019 Carnegie Fabrics, Inc. Printed on recycled paper.
Xorel is a registered trademark of Carnegie Fabrics Inc.
Xorel registered trademark and license to distribute is granted by permission of Carnegie Fabrics Inc. USA