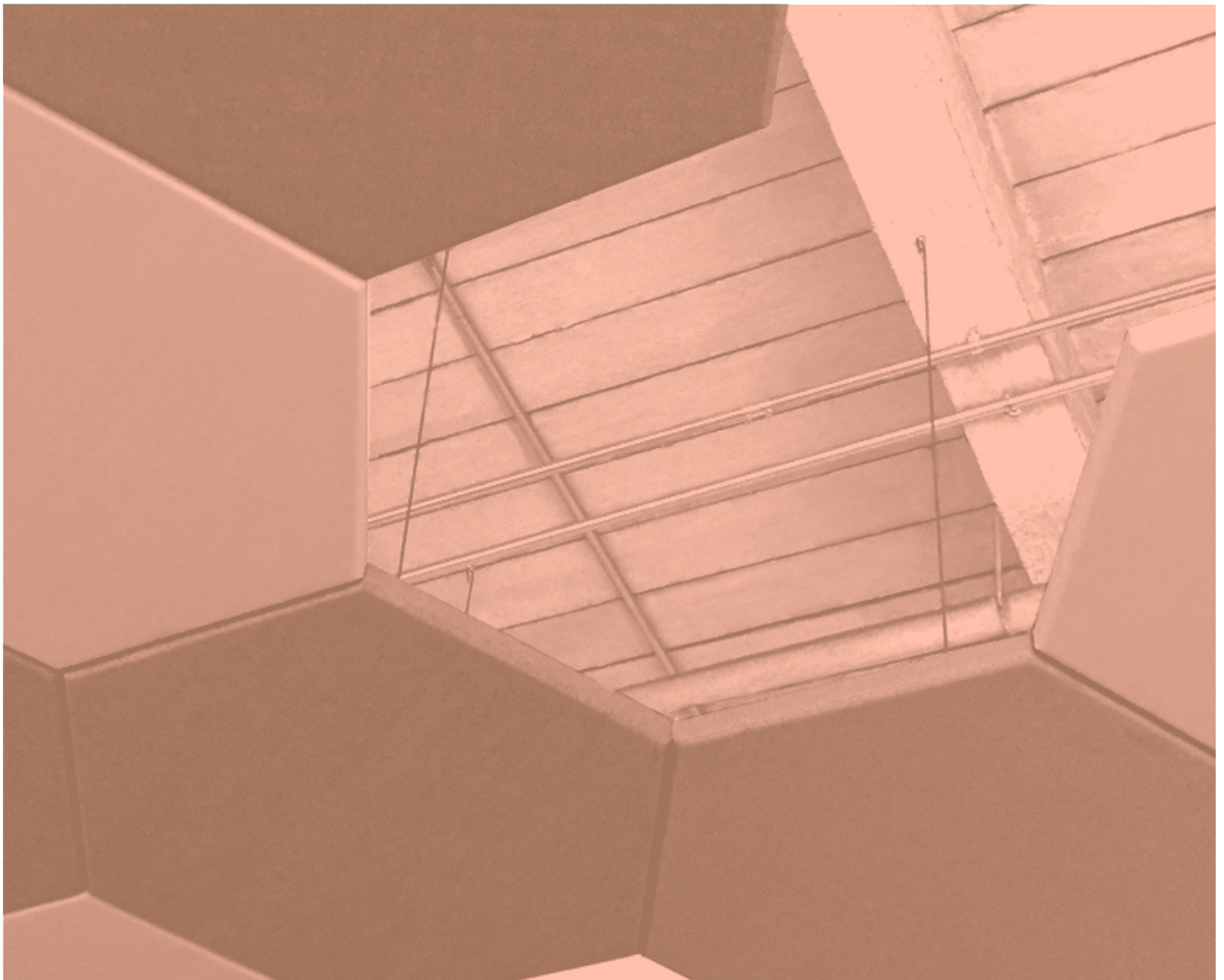


# Ceiling Horizontally Suspended – Tiled Acoustical Panels Using Hanging Rods



# Before Getting Started

## Check Your Panels

Make sure you received everything you ordered. Please let us know if you have any questions or concerns by calling 1.800.727.6770 or visiting [xorelartform.com](http://xorelartform.com).

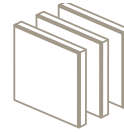
## Prep Your Work Area

Clear the area of all furniture. If the room where the panels are going to be installed has a hard floor, clean the floor, or cover it in construction paper to protect the panels when laying them face down.

## Decide on Ceiling Mounting Materials

Because ceilings are made of a wide range of materials, you will need to plan how to attach the Artform hanging rods to the ceiling and provide those materials. Additional eye bolts will work for many ceilings, but please take your ceiling material into account when deciding how to hang the rods.

## Packaged Components



Xorel Artform Panels



Stabilizing Glue



Eye Bolts  
*1 for each panel*



Bending Tool



Hanging Rods  
*6' (w) x 1/8" (d)*  
*1 for each panel*



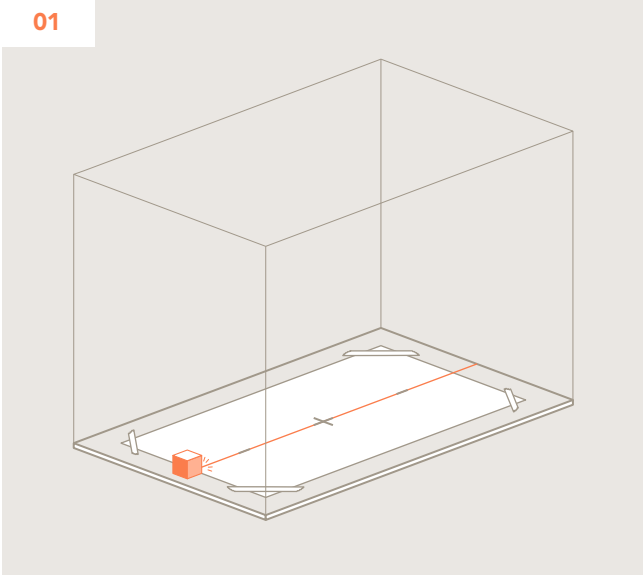
Aluminum Joiner Strips  
*2 for each panel*

## Additional Tools Needed

Vertical Spot Laser  
Wide Field Laser  
Ceiling Mounting Materials  
Wirecutters  
Pliers  
Caulk Gun

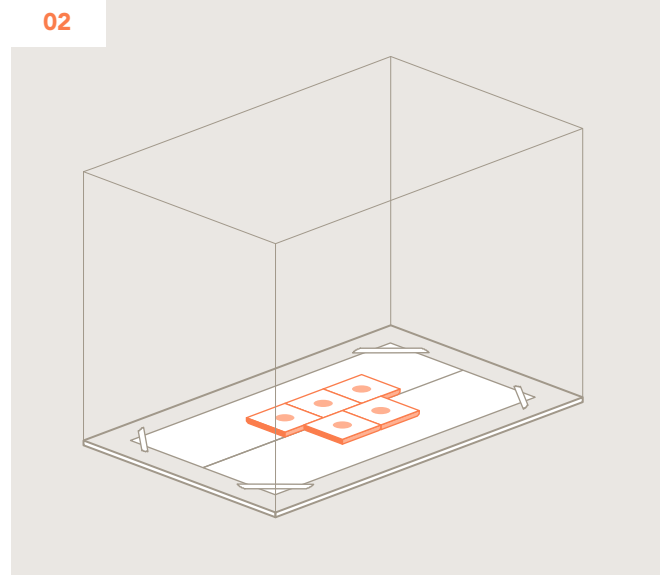
# Installation Steps

01



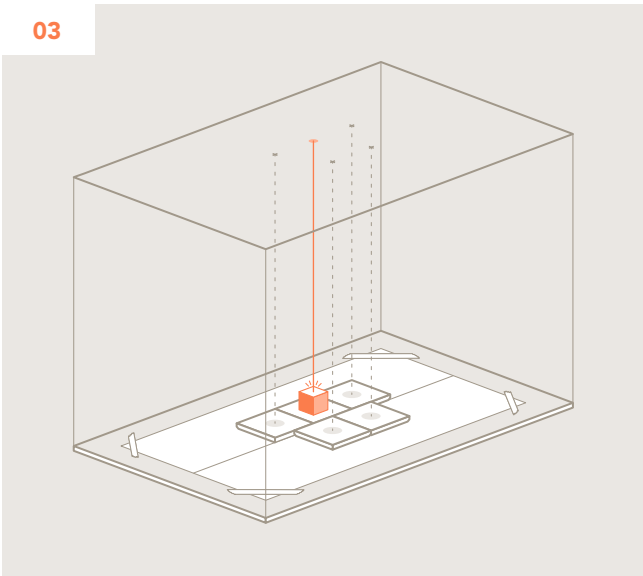
Set a reference line on the floor.

02



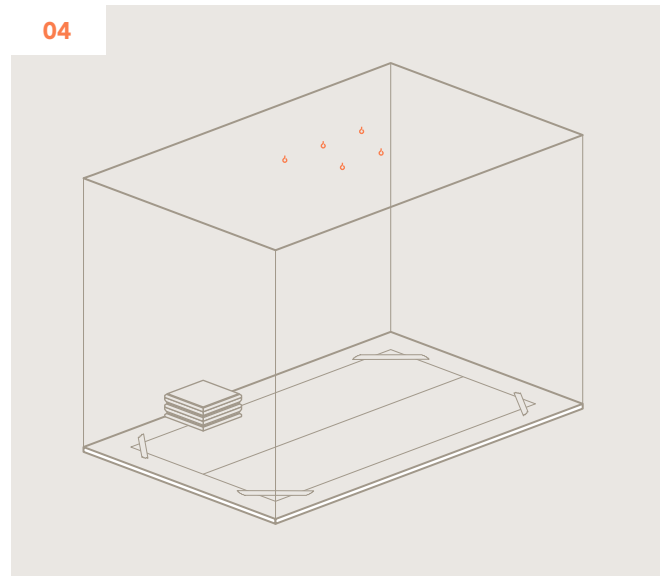
Starting at a corner/one side of the design, place panels face down in the desired final layout. Place panels as close together as possible.

03



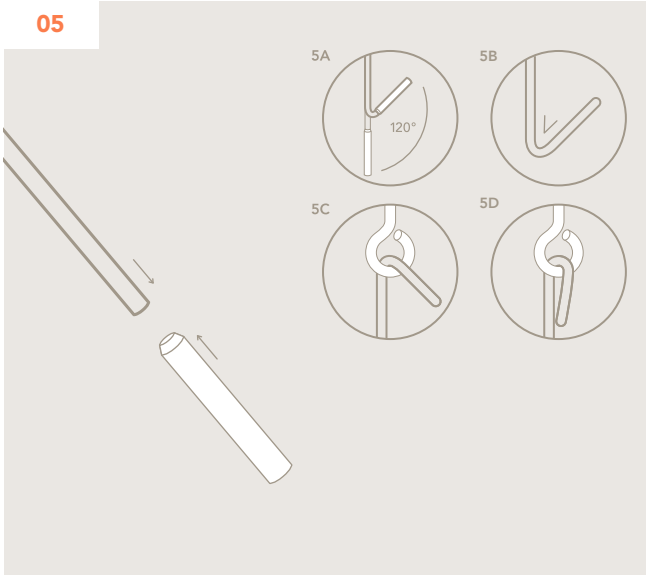
Place the vertical spot laser on top of the screw hole on the back of one of the panels, and mark the center point on the ceiling. Repeat until the center point of each panel is marked on the ceiling, moving panels off to the side as you go.

04



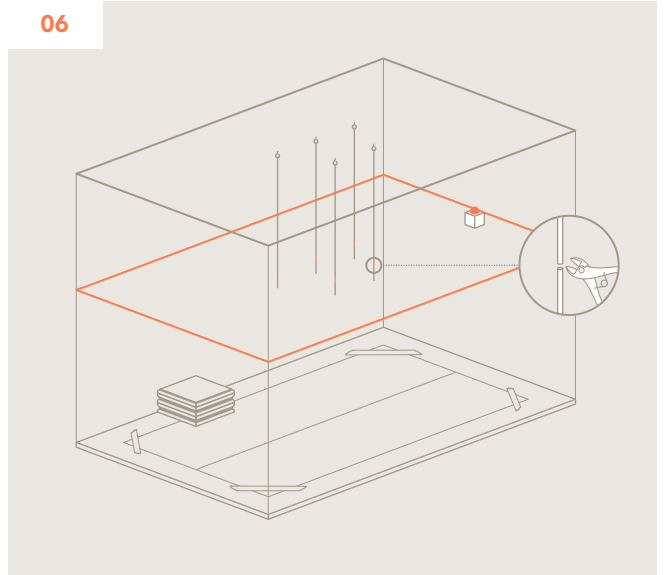
Attach the ceiling mounting materials of your choosing to each center point on the ceiling.

05



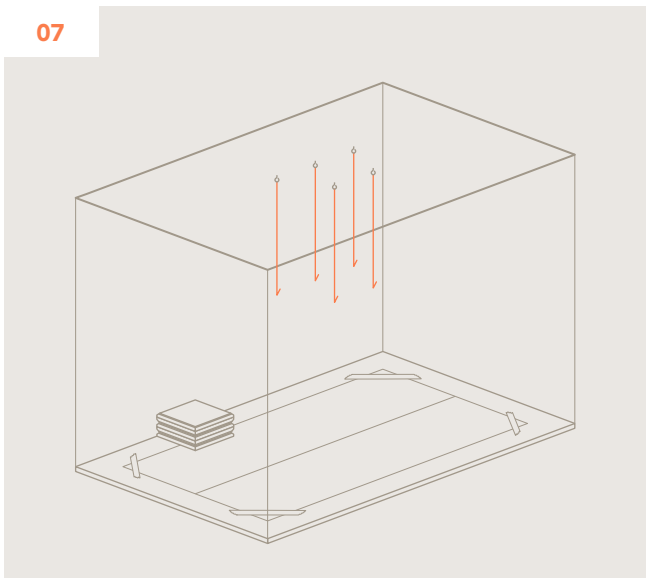
Insert a hanging rod into the bending tool as far as it will go, and bend the end of the hanging rod approximately 120 degrees (5A) forming a "V" shape (5B). Install the hanging rod onto the ceiling mount (5C), and close the top bent end with pliers (5D). Repeat until all hanging rods are installed.

06



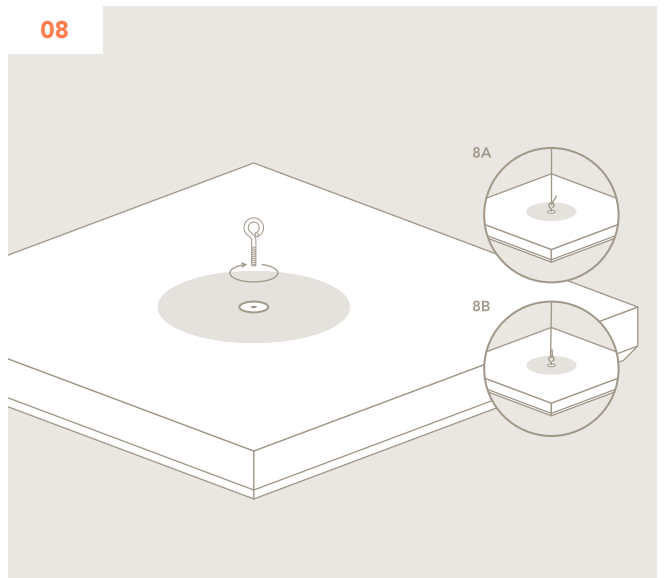
Use the wide field laser to mark the hanging rods at the specified finished ceiling height, and cut each hanging rod using the wirecutters.

07



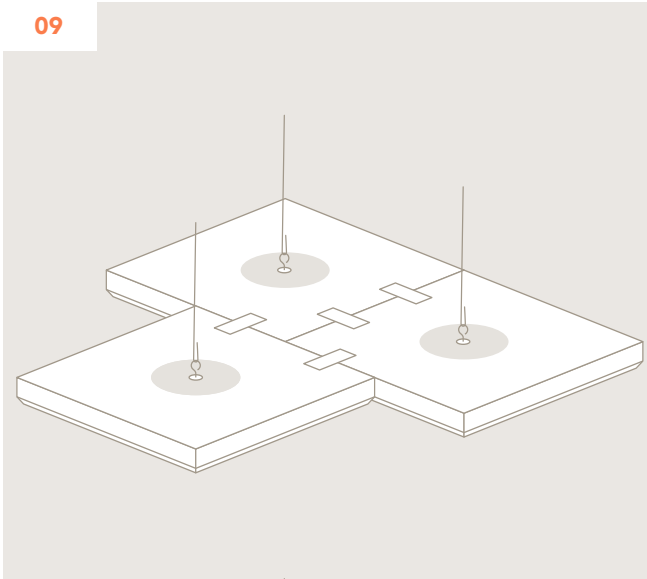
Use the bending tool to bend the bottom of each hanging rod approximately 120 degrees, forming a "V" shape.

08



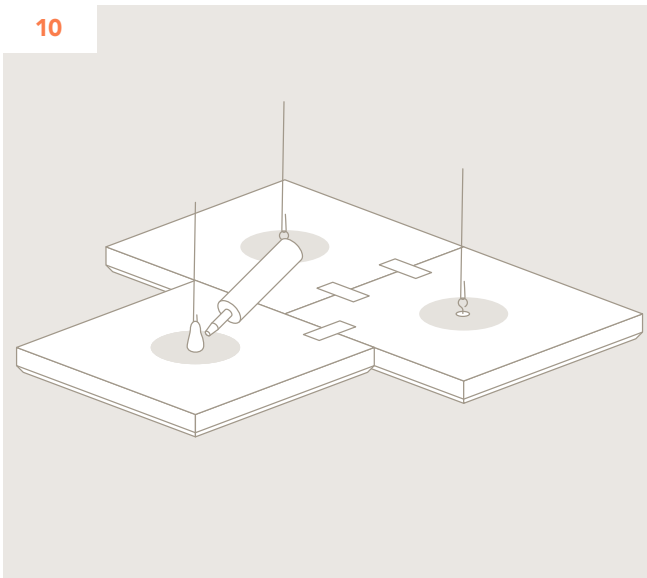
Screw an eye bolt into the back of each Xorel Artform panel, and hang the panel onto the bent end of the hanging rod (8A). Once the panel is in place, close the bent end with pliers (8B).

09



After hanging 2 adjacent panels, align them and apply 2 aluminum joiner strips where the panels join. It's recommended that 2 people handle joining panels together.

10



Using a caulk gun, add a dollop of the stabilizing glue to the joint between the panel and the hanging rod to lessen the amount of movement.

### Tips for Installation

In order for the suspended panels to be stable, they must be hung in groups of 3 panels or more, and must not be installed in a single straight line. Failing to do so will result in swinging and/or toggling from the top and/or base of the hanging rod.

We recommend having a rendering/layout of the final design on site for reference during installation.

If you will be drilling into the ceiling in order to hang the Artform rods, make sure to move the panels away from the area where you'll be drilling.

If there are obstructions on the ceiling (water pipes, electrical boxes, etc), individual hanging rods can be relocated 1/4" to 1/2" off center.

To ensure a correct installation, continue to check for alignment as you install each panel.

When stacking panels, always stack them face to face/back to back.

Keep in mind that each panel is free hanging, and because of this, there may be a slight gap between the panels after installation. If lighting is installed above the panels, light may be visible between the gaps, and if that is not the desired affect, the panel seams can be taped (over the aluminum joiner strips).

## Contact Us

Email  
[info@xorelartform.com](mailto:info@xorelartform.com)

Phone  
1-800-727-6770

All Xorel fabrics are C2C Certified.  
Visit [xorelartform.com](https://xorelartform.com) for more information.

© 2019 Carnegie Fabrics, Inc. Printed on recycled paper.  
Xorel is a registered trademark of Carnegie Fabrics Inc.  
Xorel registered trademark and license to distribute is granted by permission of Carnegie Fabrics Inc. USA